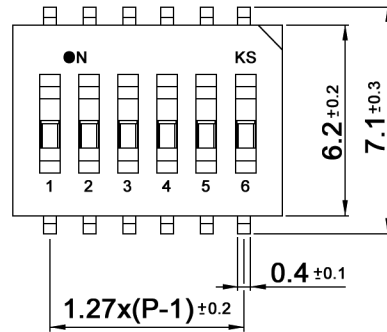
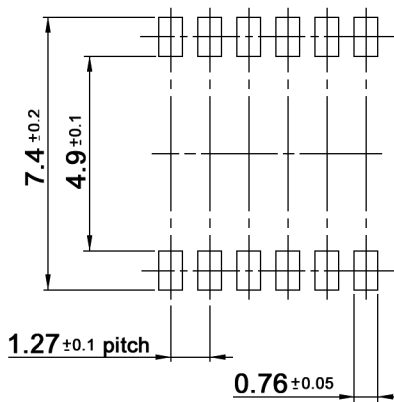


xx	Poles	A
02	2	3.70
04	4	6.20
06	6	8.75
08	8	11.30
10	10	13.80

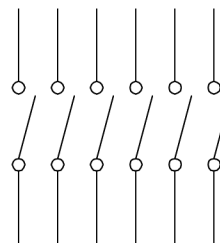


Delivery in OFF position

P.C.B. LAYOUT



CIRCUIT DIAGRAM



Compliance: RohS III (2015/863/EU)

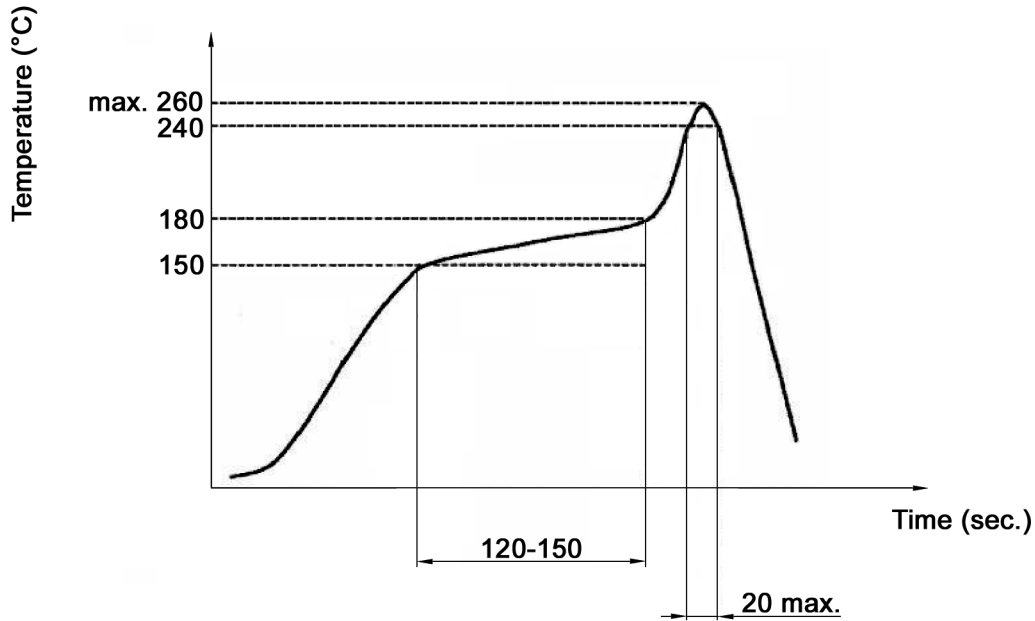
Tolerances: 0-1: ±0.1mm 1-4: ±0.3mm 4-16: ±0.5mm	Date	Name	<h1>DHS 6xx-J</h1>
	12/13	dr	
Material	06/23	dr	<h2>30 29 89</h2>
Revised	08/15	dr	
Specifications	01/14	dr	Page
Modifications	Date	Name	1/3

Specifications:

Contact rating: switching: 25mA, 24V DC
 non-switching: 100mA, 50V DC
Contact resistance: 100mOhm
Insulation resistance: 500MOhm min. at 100V DC
Dielectric strength: 300V AC min. for 1 minute
Operating temperature: -40°C to +85°C
Storage temperature: -40°C to +85°C
Mechanical life: 1000 cycles
Operating force: 800gf max.
Packaging unit: 2000 pcs. / reel
Material: Cover / base: polyamide UL94V-0, black
 Knob: polyamide UL94V-0, white
 Terminal: phosphor bronze copper
 Fixed contact: phosphor bronze copper
 Movable contact: beryllium copper, gold plated
 Tape seal: polyimide

Washable by water or alcohol-based cleaners

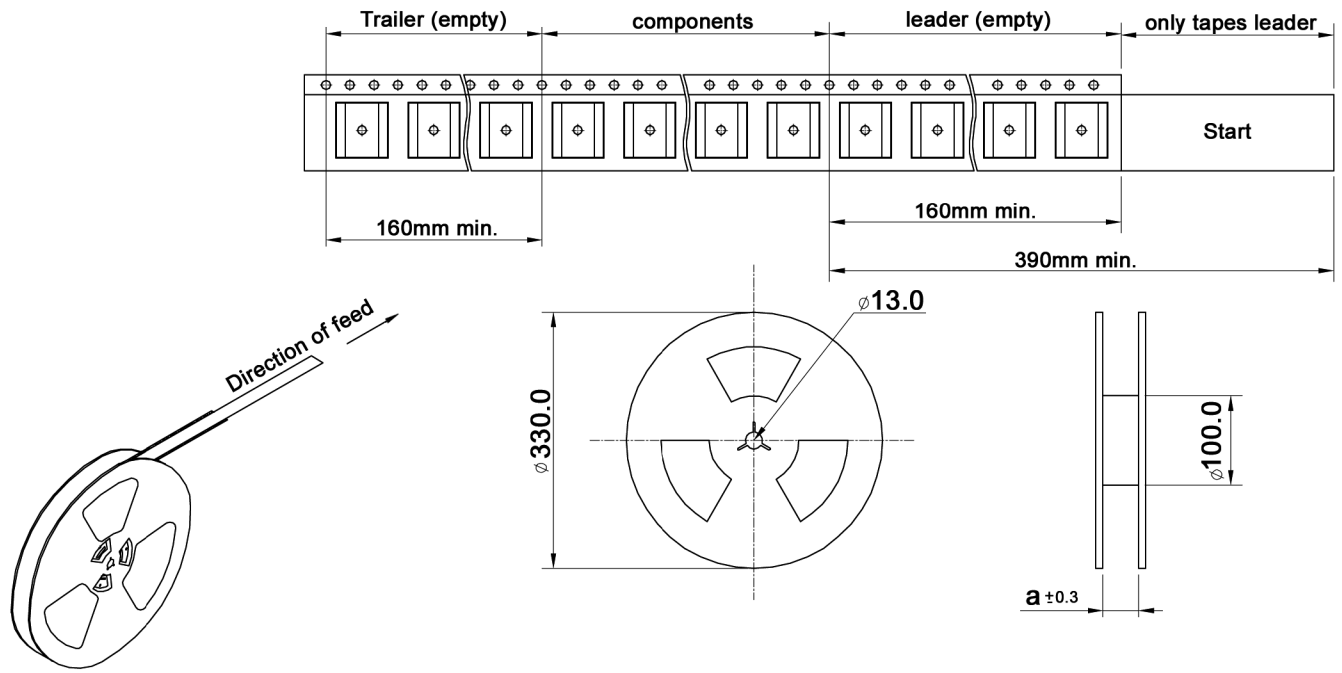
Soldering conditions:



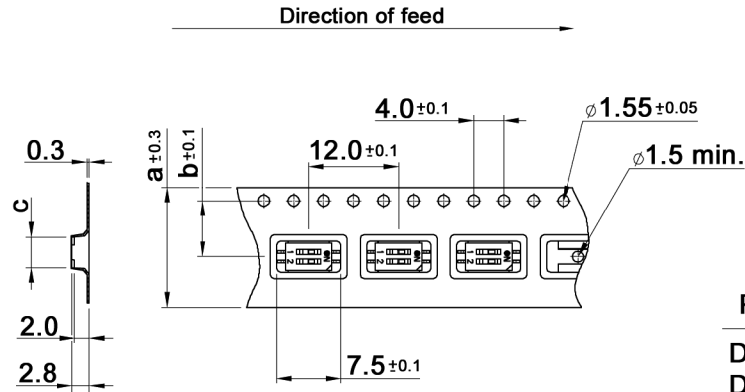
Compliance: RohS III (2015/863/EU)

Tolerances: 0-1: ±0.1mm 1-4: ±0.3mm 4-16: ±0.5mm	Date	Name	<h1>DHS 6xx-J</h1>
	12/13	dr	
Material	06/23	dr	<h2>30 29 89</h2>
Revised	08/15	dr	
Specifications	01/14	dr	
Modifications	Date	Name	knitter-switch
			Page 2/3

Packaging:

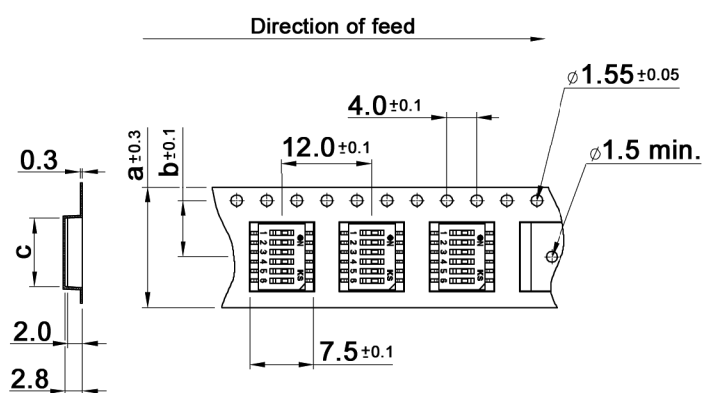


DHS 602-J:



Prod. No.	Poles	a	b	c
DHS 602-J	2	16	7.5	4.1±0.1
DHS 604-J	4	16	7.5	6.6±0.1
DHS 606-J	6	16	7.5	9.15±0.1
DHS 608-J	8	24	11.5	11.9±0.05
DHS 610-J	10	24	11.5	14.2±0.1

DHS 604-J....DHS 610-J:



Compliance: RohS III (2015/863/EU)

Tolerances: 0-1: ±0.1mm 1-4: ±0.3mm 4-16: ±0.5mm	Date	Name	<h1>DHS 6xx-J</h1>
	12/13	dr	
Material	06/23	dr	<h2>30 29 89</h2>
Revised	08/15	dr	
Specifications	01/14	dr	knitter-switch
Modifications	Date	Name	
			Page 3/3